

L-PWP40A Cabinet Loudspeaker

FEATURES

- Extraordinary sound effect, Intelligible treble and powerful bass
- Sturdy ABS enclosure
- Popular and stylish design
- Easy installation and cost effective
- Adjustable installation brackets
- CE and RoHS compliant



PRODUCT DESCRIPTION

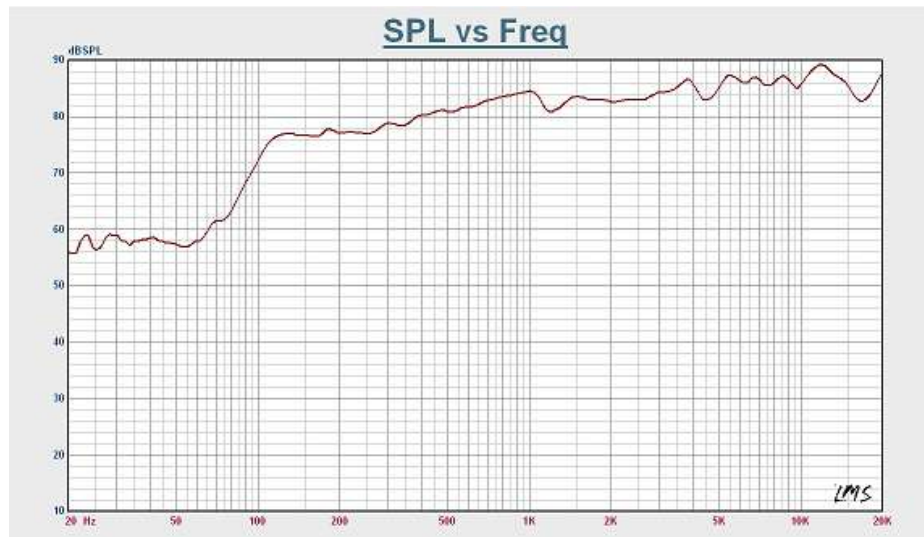
L-PWP40A is a 40W cabinet loudspeaker intended for use in general indoor and outdoor applications. It is excellent in recreating original audio effects, foreground and background music. The cabinet is available in charcoal or white. Three types of speaker inputs: 8 ohm, 70V and 100V are suitable for either high or low voltage audio signal inputs. Equipped with high linearity anti-fatigue rubber, the bass audio performance is free from distortion due to prolonged low-frequency operation. Treble circuit unit adopts dome Cortina design, extending the treble range

of frequency response and increasing the high quality acoustic performance. Anode and cathode screw terminals on the back box make it easier for cable connection. The loudspeaker is ideal for use in theme bars, music restaurants, groceries, video shops, meeting rooms, office buildings, exhibition halls, gyms, and presentation rooms. The adjustable installation brackets flexibly position the loudspeakers, meeting the needs of different indoors' sound field characteristics and idiosyncrasies. The loudspeaker is CE and RoHS compliant.

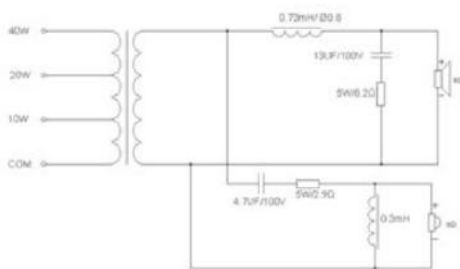
TECHNICAL SPECIFICATIONS

Model	L-PWP40A
Max power	60 W
Rated power	40 W
Power taps @ 100V	40 W / 20 W / 10 W
Power taps @ 70V	20 W / 10 W / 5 W
SPL at 40W / 1W (4k Hz, 1m)	101 dB / 86 dB
Frequency response (- 10 dB)	100 Hz - 20k Hz
Dispersion angle (1k Hz / -6 dB)	160°
Rated input voltage	100 V / 70 V / 8Ω
Rated impedance	250 Ω / 500 Ω / 1k Ω
Connector	Binding post terminals
Dimensions (W × H × D)	172 × 302 × 165 mm
Diameter of speaker	5.25" woofer, 1" tweeter
Weight	3.2 kg
Color	White (RAL9003)

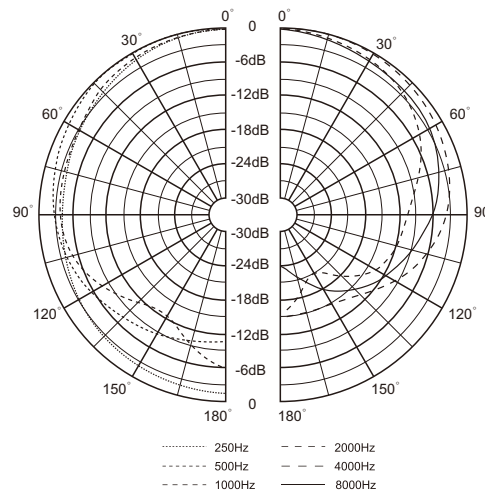
FREQUENCY RESPONSE



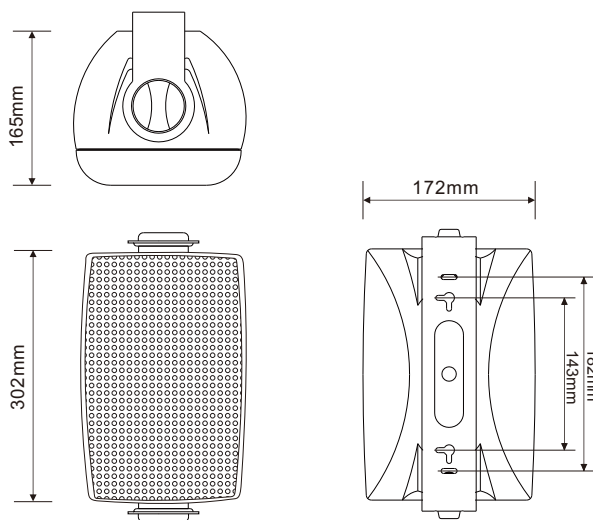
CIRCUIT DIAGRAM



POLAR DIAGRAM



THREE-VIEW DIAGRAM



Honeywell Audiovisuals

No. 257, Junye Road
 Guangzhou GETDD East
 510530 China
 Tel: +86 20 2839 9600
 Fax: +86 20 2820 8706
 www.honeywellav.com

2100040589_EN2.4
 Nov 2012
 © 2012 Honeywell International Inc.

Honeywell