

L-POM20A ALUMINUM OUTDOOR COLUMN LOUDSPEAKER

- Intelligible voice and superior sound reproduction
- Robust aluminum housing
- Supplied with universal swivel bracket for easy angle adjustment
- Stylish design
- Adjustable 70V and 100V inputs
- Applicable to extreme environment
- IP66 standard complied
- CE and RoHS complied



PRODUCT DESCRIPTION

L-POM20A is a high-performance 20W public address column loudspeaker for outdoor use. It provides a broad frequency response range, low distortion and high sound pressure level for accurate and intelligible broadcasts of evacuation messages and high quality sound reproduction. Its low-profile, white color design blends easily with most interiors in locations such as hotels, conference rooms, cinemas, theme parks, factories and exhibitions. In case of a fire emergency, its aluminum enclosure and high-temperature ceramic

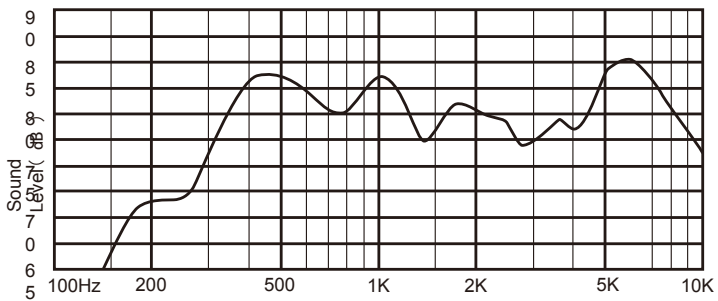
wiring connector protect the speaker's internal components from the increased heat often present in fire conditions, extending its ability to remain operational and broadcast important information during a fire emergency. In addition, the loudspeaker's swivel bracket is also made of aluminum, making them durable and corrosion proof. The loudspeaker is also supplied with a temperature fuse that protects it from overheating due to improper loading.

Technical Specification

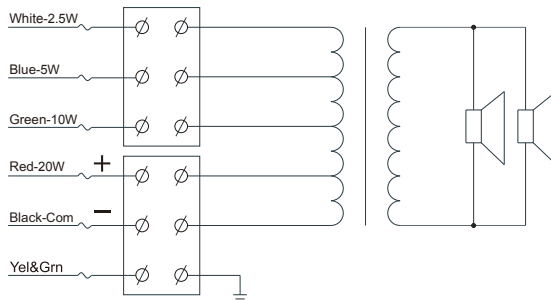
Max power	30 W
Rated power	20 W (10W × 2)
Power taps @ 100V	20 W / 10 W / 5 W / 2.5 W
SPL at 20 W / 1W(350Hz-15k Hz,1m)	105 dB / 92 dB
Frequency response(-10dB)	250 Hz - 20 KHz
Dispersion angle (1KHz / -6dB)	160°
Rated impedance	500 Ω / 1 KΩ / 2 KΩ / 4 KΩ
Connector	Fire-resistant cable

Rated input voltage	100 V / 70 V
Dimensions (W×H×D)	165 × 150 × 344 mm
Weight	3.75 Kg
Color	White (RAL9003)
Speaker size	4" × 2
Operating temperature	-25 °C to + 55 °C
Storage temperature	-40 °C to + 70 °C
Relative humidity	< 95 %

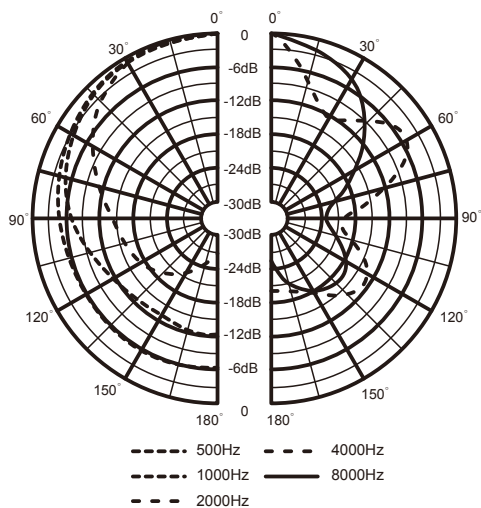
Frequency Response



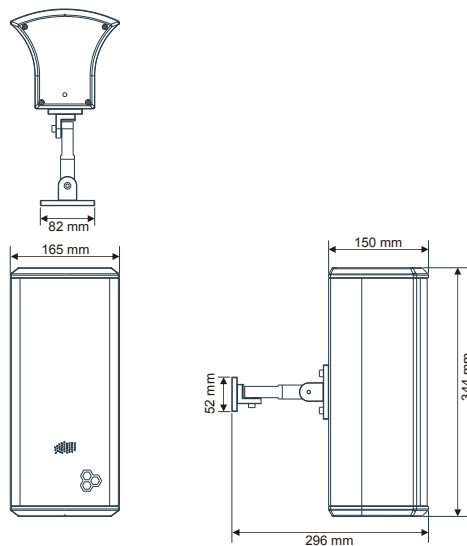
Circuit Diagram



Polar Diagram



Three-View Diagram



For more information,
<https://honeywellbuildings.in>
 Call: 1-800-103-0339
 Email: HBT-Indiabuildings@honeywell.com

Honeywell HBT India Buildings
 Unitech Trade Center, 5th Floor, Sector-43,
 Block C, Sushant Lok Phase - I,
 Gurgaon - 122 002

www.honeywell.com

© 2020 Honeywell International Inc.

L-POM20A
ALUMINUM OUTDOOR
COLUMN LOUDSPEAKER

Honeywell